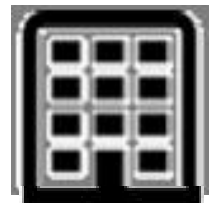


# UniversalType



The X2200 universal tablet enclosure provides high security for tablets used in business, allowing the use of different tablets.

Retail Exhibition & Event Hospital & Health care Office



Restaurant Bank Leisure & Hospitality Public information kiosk





Product Range



Desk type



X2201-30

The tablet is 30°  
Toward user, fit on  
Low rising platform.



X2201-45

The tablet is 45°  
Toward user, fit on  
Normal level  
platform.



X2201-60

The tablet is 60°  
Toward user, fit on  
Raised platform.



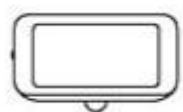
X2201-75

The tablet is 75°  
Toward user, fit on  
Eye level platform.



X2201-FSB

The unit stand on  
With free standing  
base, no drilling  
holes.



Wall type



X2250-30

The tablet is 30°  
Toward user, fit at  
Low height wall..



X2250-45

The tablet is 45°  
Toward user, fit at  
Normal height wall.



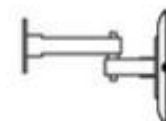
X2250-60

The tablet is 60°  
Toward user, fit at  
High raised wall.



X2250-90

The tablet is 90°  
Toward user, fit at  
Eye level on wall.

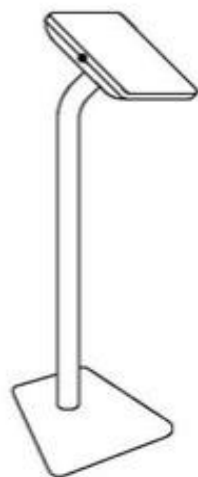


X2250-VESA

The table enclosure  
Mount on to VESA  
Compatible devices.

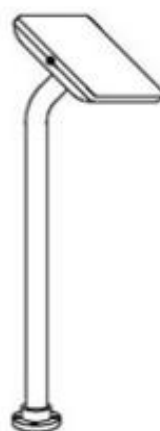


Floor type



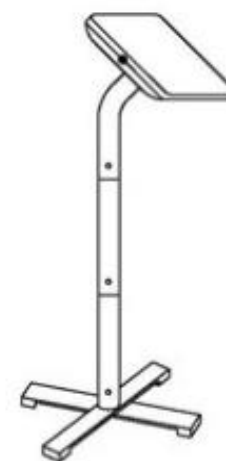
X2280-FSB

The tablet stand sits  
On floor with  
Free standing base.



X2280-MTB

The tablet stand is  
Mounting on to floor  
With mounting base.



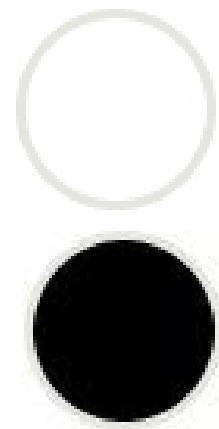
X2280-V

The tablet stand can  
Be dissembled into 3  
Parts and versatile.

## Various colors



The tablet enclosure comes in black  
And white as standard



You can also add your own color as a  
Custom finish



## Different angles

The mounting bent tube comes in angles of 30°,45°,60°,75°toward user and with different heights. You can choose the Specific one suit able for you. Also please let us know if there is another angle which better works for you, we can Customize for you.

## Desk type

30°angle

45°angle

60°angle

75°angle



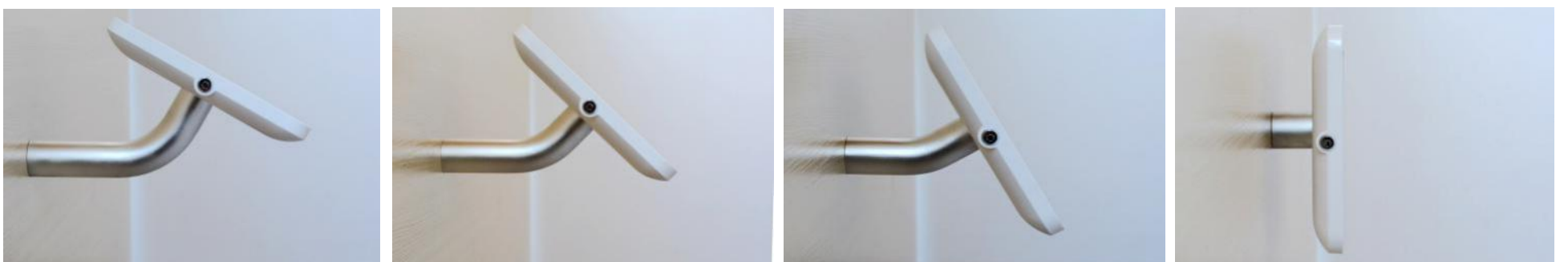
## Wall type

30°angle

45°angle

60°angle

angle90°angle/VES Amount

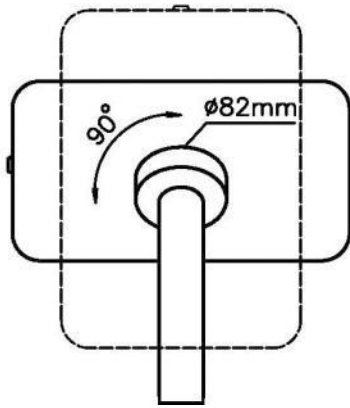


Angle and height can be customized, we have in house tube bending machine and cutting machine, which enable Customized from even 1pc.

### Upgrade add-on

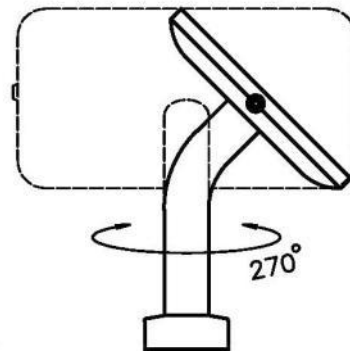
#### Landscape & Portrait Switch

Switch allow the tablet enclosure  
Change from Landscape position to  
Portrait with a 90°turn anytime.



#### Rotate

Rotate allow the tablet enclosure  
Make a 270°pivot, to share  
information.



#### Free standing base

Free standing base allow the tablet  
Enclosure stand without drilling  
Holes and moveable, yet steady.



### Extra add-on

#### Audio port

3.5mm audio port allow connect the  
Tablet with headphones.



#### Custom color

Add your customized color specific  
To the environment.



#### Data & Charging cable

The 90°angle cable make the best  
Use of space inside the enclosure.



### All Tablets in one Enclosure

Our tablet enclosure is designed with face sheet and insert fit kits, which allow for the use of different tablets.

### Fit kit of supported tablets:

Apple iPad2/3/4



Apple iPad Air



Apple iPad Air2



Samsung GalaxyTab3/410.1



Samsung GalaxyTabS10.5

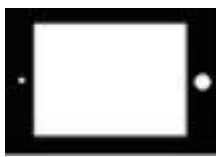


We will customize for you if your tablet is not listed above. We will make new fit kit to suit your tablet.

### Face sheet home button & Camera options:

iPad 2/3/4/Air/Air2 Samsung GalaxyTab3/4/S

Exposed home button & Exposed camera



Exposed home button & Covered camera



Covered home button & Exposed camera



Covered home button & Covered camera



Exposed home button & Exposed camera



Exposed home button & Covered camera



Covered home button & Exposed camera



Covered home button & Covered camera



## High Security & Full Protection

Lock up capability  
Simple "Push-lock" and unlock with key



PC/ABS enclosure  
Strong also keep dust away and enable Wi-Fi connection



TPE fit kit  
Soft TPE fit kit minimize impact to tablet



Kensington locks lot  
Kensington lock slot allow additional security



Aluminum alloy tube  
Aluminum-Magnesium alloy strong and light weight



Cable management  
Cable go inside the system and protected



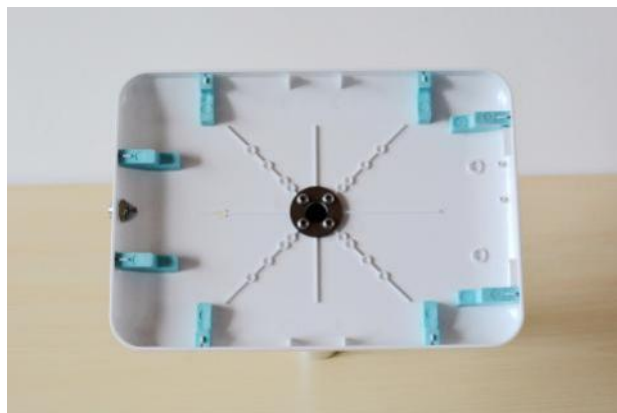
## Easy Installation

### Desk / wall type

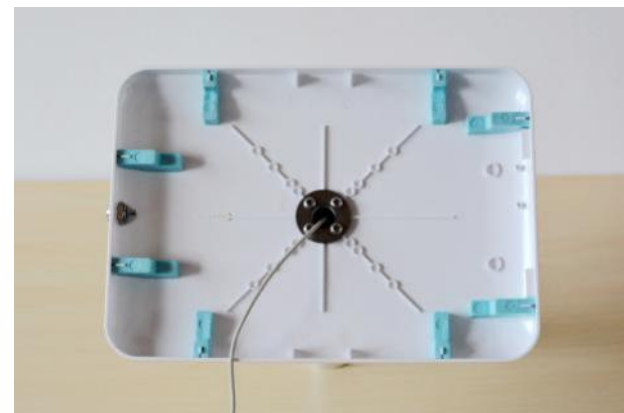
Mount tube to the surface



Attach enclosure to the tube



Feed the cable through



Fit tablet in between fit kit



Place acrylic face sheet



Lock up with metal faceplate



### Floor type

Attach pole on to  
Free standing base



Attach enclosure to  
The pole



Fit tablet in between  
Fit kit



Place acrylic ace  
sheet



Lock up with metal  
Face plate

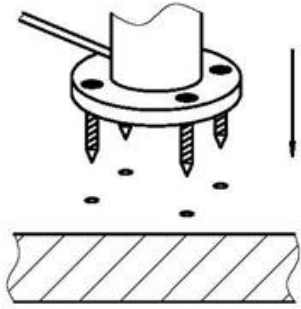




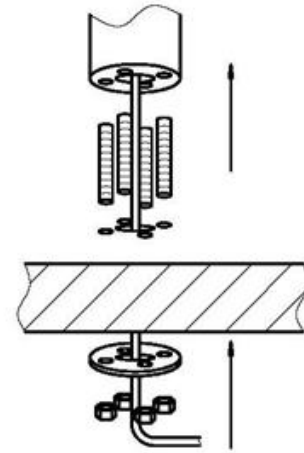
### Flexible mount option

### Desk type

Mount from above surface

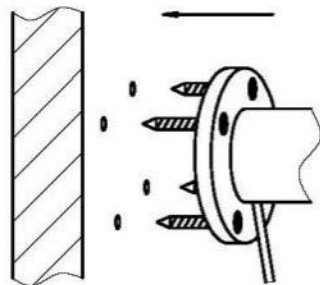


Mount from below surface

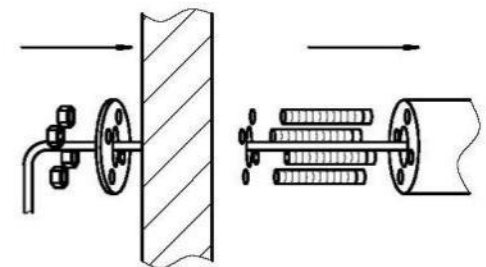


### Wall type

Mount from above wall surface

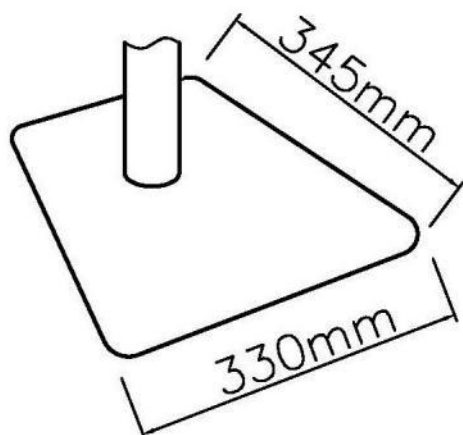


Mount from behind wall

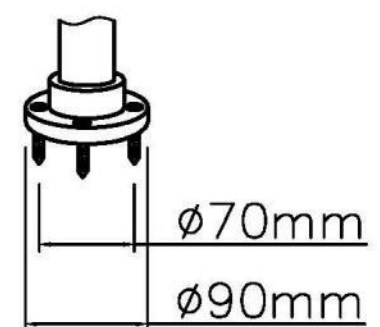


### Floor type

Floor stand with free standing base



Floor mount from above surface

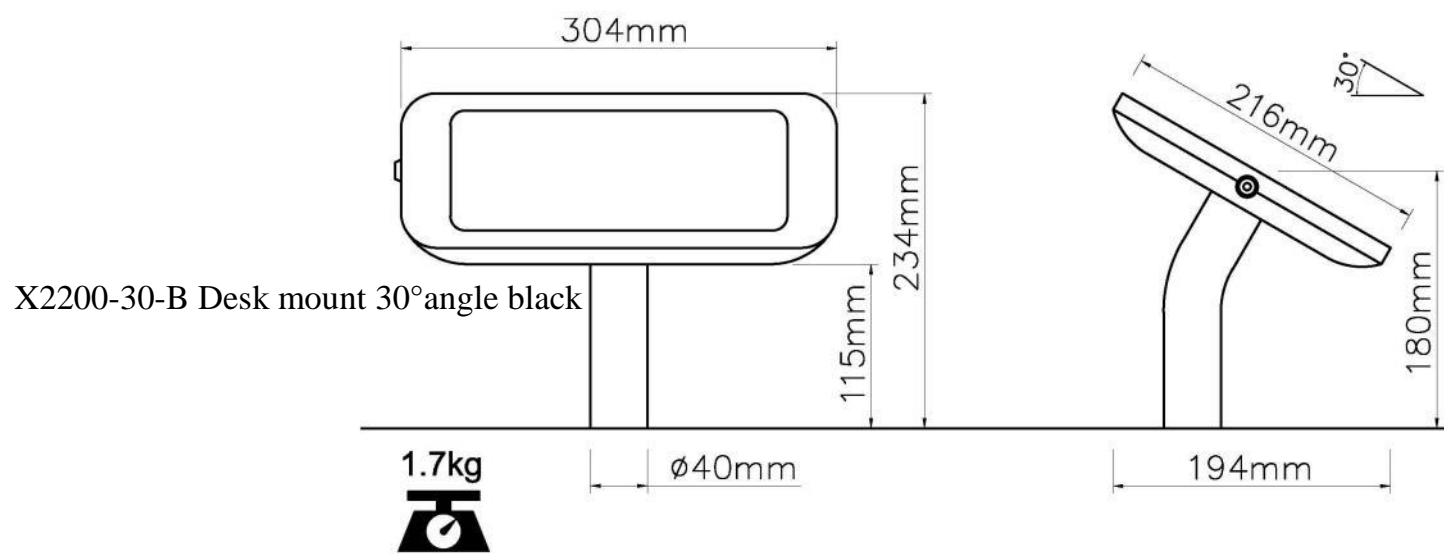


### Product Ordering

### Product part numbers

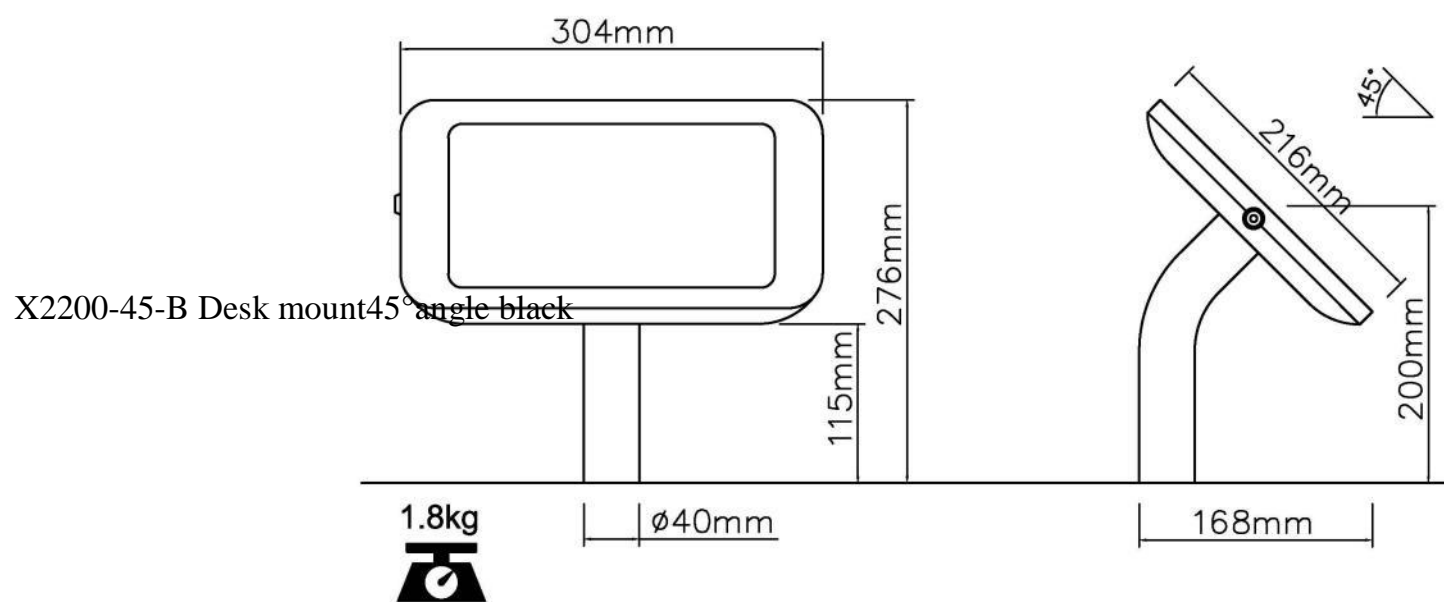
X2200-30-W

Desk mount 30°angle white

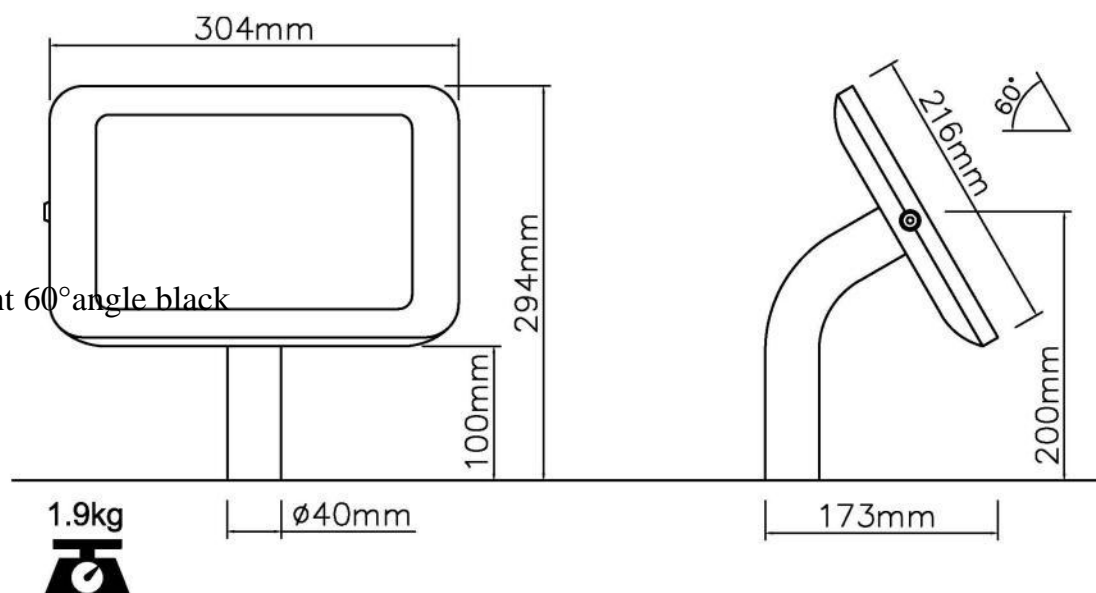


X2200-45-W

Desk mount 45°angle white

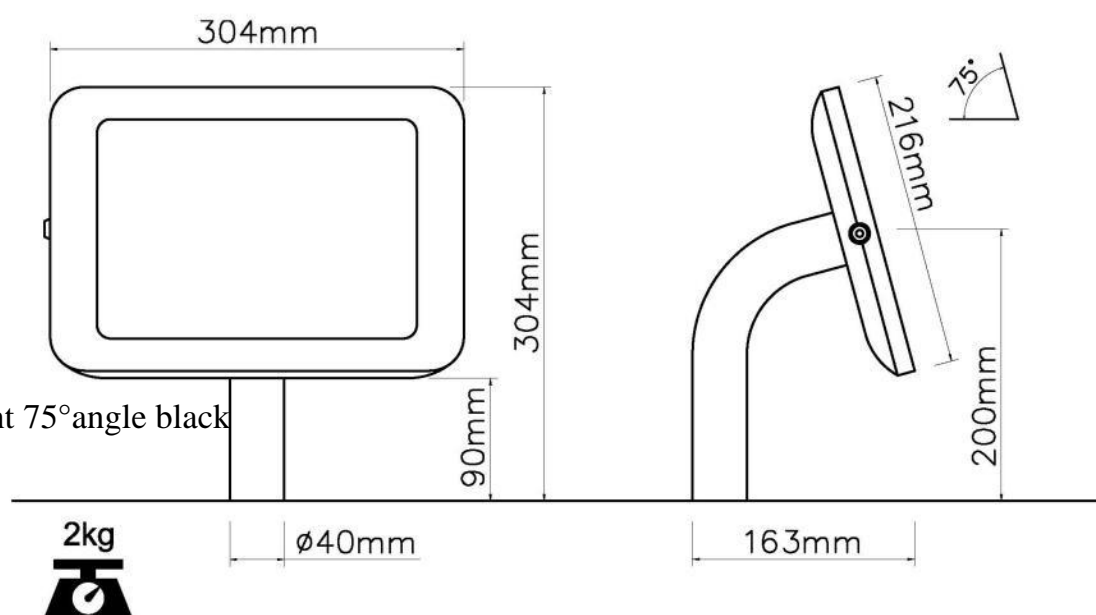


X2200-60-B Desk mount 60°angle black



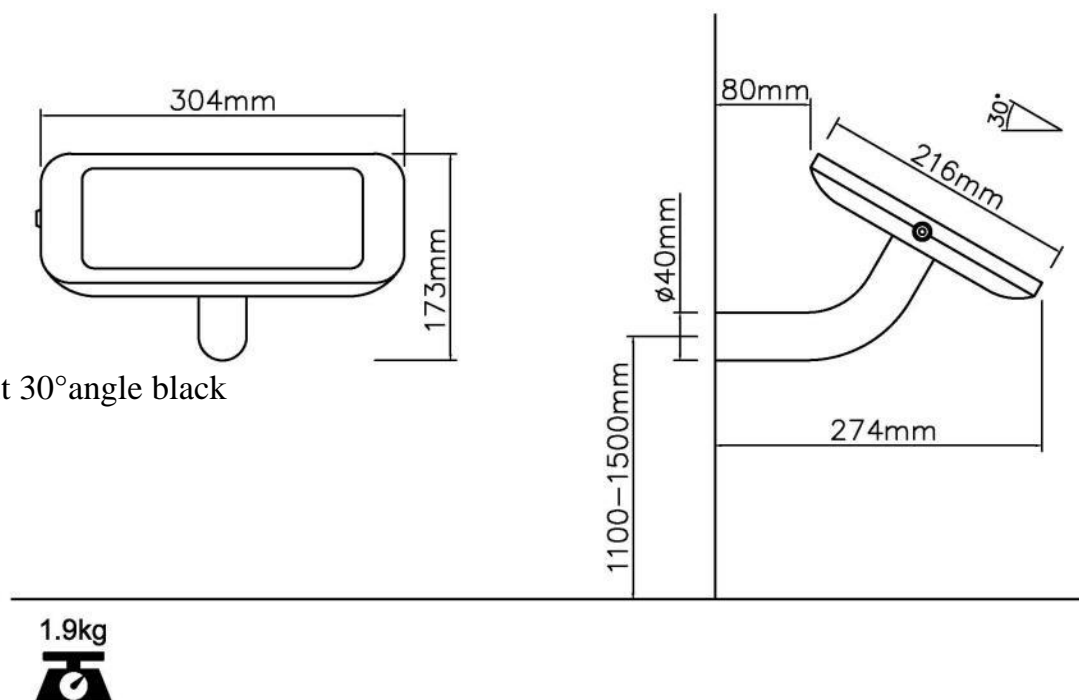
X2200-75-W

X2200-75-B Desk mount 75°angle black



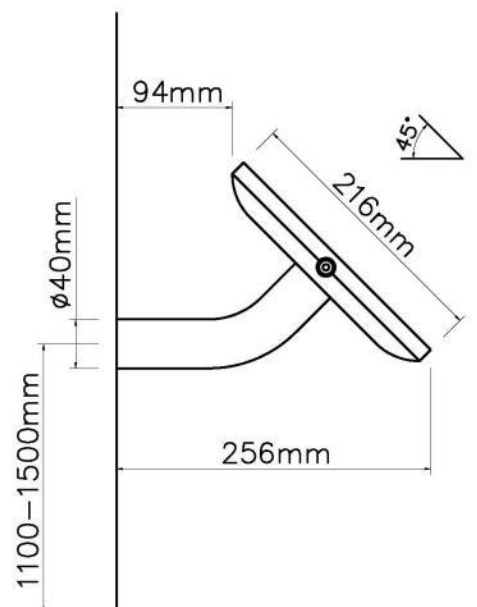
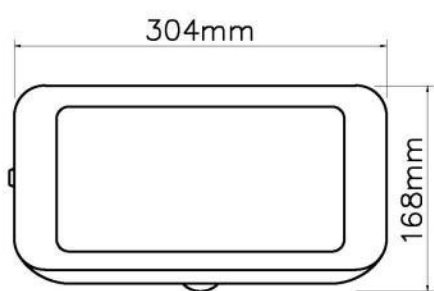
X2250-30-W

X2250-30-B Wall mount 30°angle black



Wall mount 45°angle white

X2250-45-W

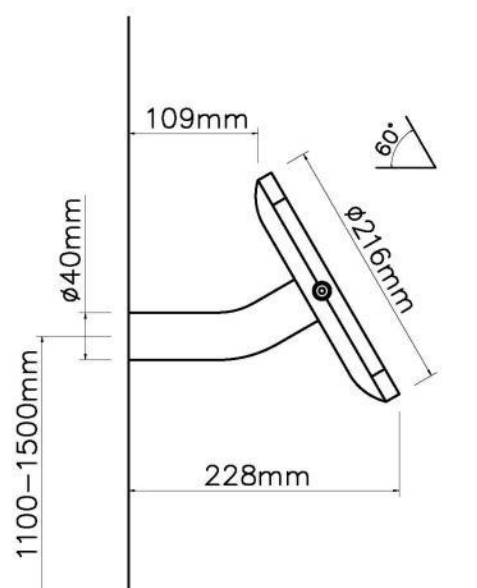
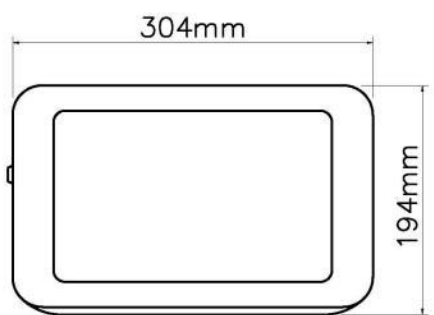


X2250-45-B Wall mount 45°angle black



X2250-60-W

Wall mount 60°angle white

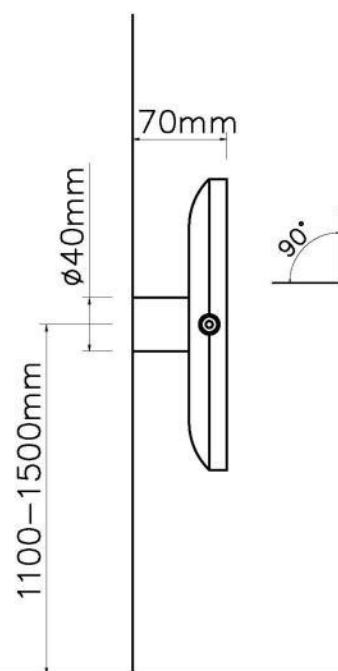
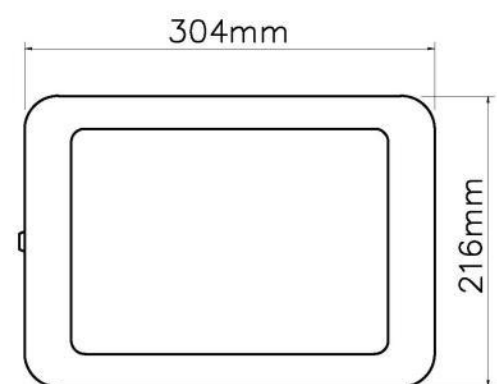


X2250-60-B Wall mount 60°angle black



X2250-90-W

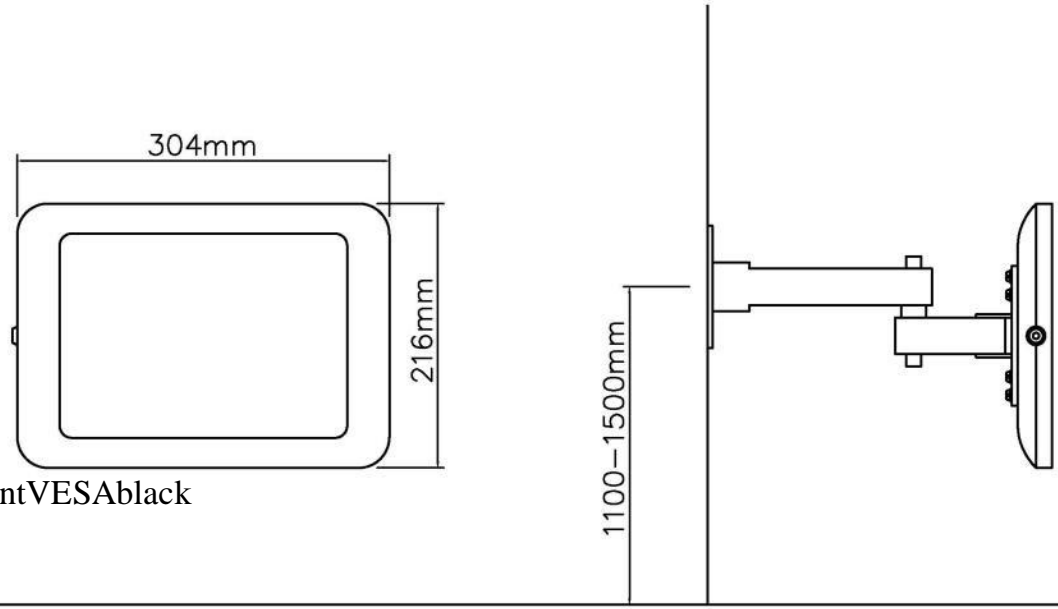
Wall mount 90°angle white



X2250-90-B Wall mount 90°angle black



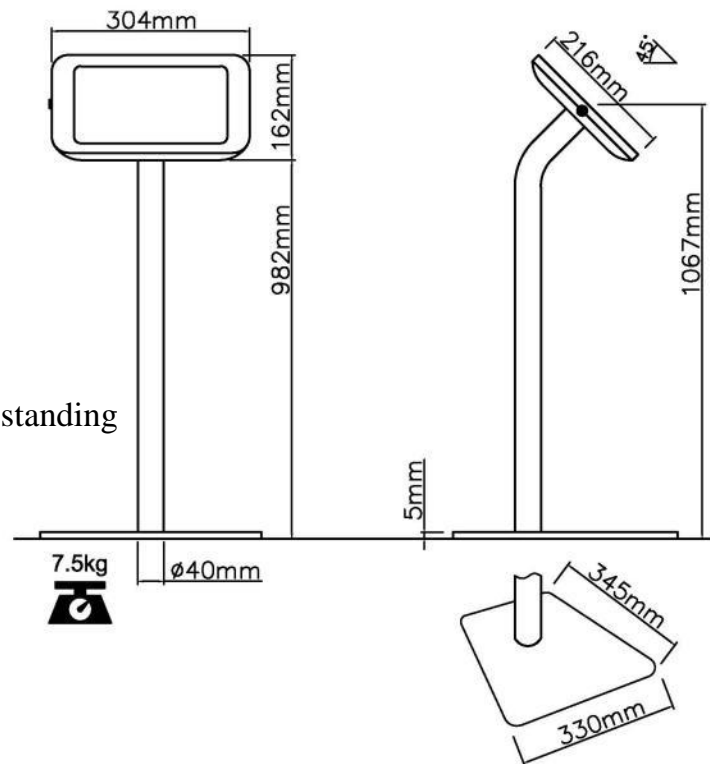
X2250-VESA-



X2250-VESA-B Wallmount VESA black



X2280-FSB-W



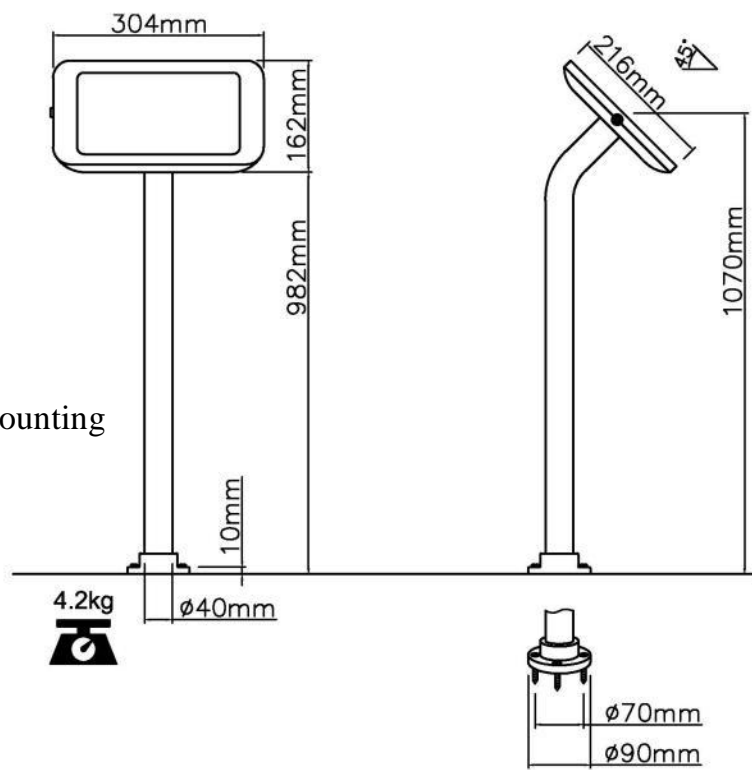
Floor stand with free standing  
Base white

X2280-FSB-B Floor stand with free standing

Base black



X2280-MTB-W



Floor stand with mounting  
Base white

X2280-MTB-B Floor stand with mounting

Base black



The X2280 standard version comes with one set of fit kit and face sheet.

## Face sheet part number

FP101EE Facial sheet for iPad2/3/4exposed home button & exposed camera

FP101EC Face sheet for iPad2/3/4exposed home button & covered camera

FP101CE Face sheet for iPad2/3/4 covered home button & exposed camera

FP101CC Face sheet for iPad2/3/4covered home button & covered camera

FP102EE Face sheet for iPad Air/Air2 exposed home button & exposed camera

FP102EC Face sheet for iPad Air/Air2 exposed home button & covered camera

FP102CE Face sheet for iPadAir/Air2 covered home button& exposed camera

FP102CCFacesheetforiPadAir/Air2coveredhomebutton&exposed camera

FP201EE Face sheet for GalaxyTab3/410.1 exposed home button & exposed camera

FP201EC Face sheet for GalaxyTab3/410.1covered home button & exposed camera

FP201CE Face sheet for GalaxyTab3/410.1covered home button & exposed camera

FP201CC Face sheet for GalaxyTab3/410.1covered home button & covered camera

FP202EE Face sheet for GalaxyTabS10.5exposed home button & exposed camera

FP202EC Face sheet for GalaxyTabS10.5 exposed home button & covered camera

FP202CE Face sheet for GalaxyTabS10.5covered home button & exposed camera

FP202CC Face sheet for GalaxyTabS10.5covered home button & covered camera



### Fit Kit Part number

FK101	Fit kit for iPad2/3/4
FK102	Fit kit for iPad Air
FK103	Fit kit for iPad Air2
FK201	Fit kit for Samsung Galaxy Tab3/410.1
FK202	Fit kit for Samsung Galaxy TabS10.5



### Add-on part number

LPS	Landscape/ Portrait switch
ROTATE	Rotate unit
FSB001-W	Free standing base for desk stands white
FSB001-B	Free standing base for desk stands black
FSB002-W	Free standing base for floor stands white
FSB002-B	Free standing base for floor stands black
CB001-2m	Micro USB-USB data &charging cable with90° bent head 2meter
CB001-3m	Micro USB-USB data &charging cable with 90°bent head 3meter
CB002-2m	Lightning cable with 90°bent head 2meter
CB002-3m	Lightning cable with90°bent head 3meter